

UNIVERSITY OF CALICUT

(Engineering Department)

Sub division II

Calicut University P.O.,

673 635

Date -19/11/2017

URGENT QUOTATION NOTICE

Sealed competitive quotations in the prescribed form and super scribed by the name of works are invited for the following work so as to reach the office of the undersigned on or before **3** p.m. on 30/11/2017 The quotations will be opened at **3.30** p.m. on the same day.

Sl.No.	Name of work	PAC (Rs.)	Time of Completion
1	Providing and fixing MS stand in University Park for display equipments in Green house for Begonias & Orchids.	L.S	10 days

The quotation schedule can be had from the office of the undersigned on all working days from 20/11/2017 to **1.00** p.m. on 30/11/17. The Campus Landscaping Officer, Calicut University reserves the right not to accept the lowest quotation without assigning any reason thereof.

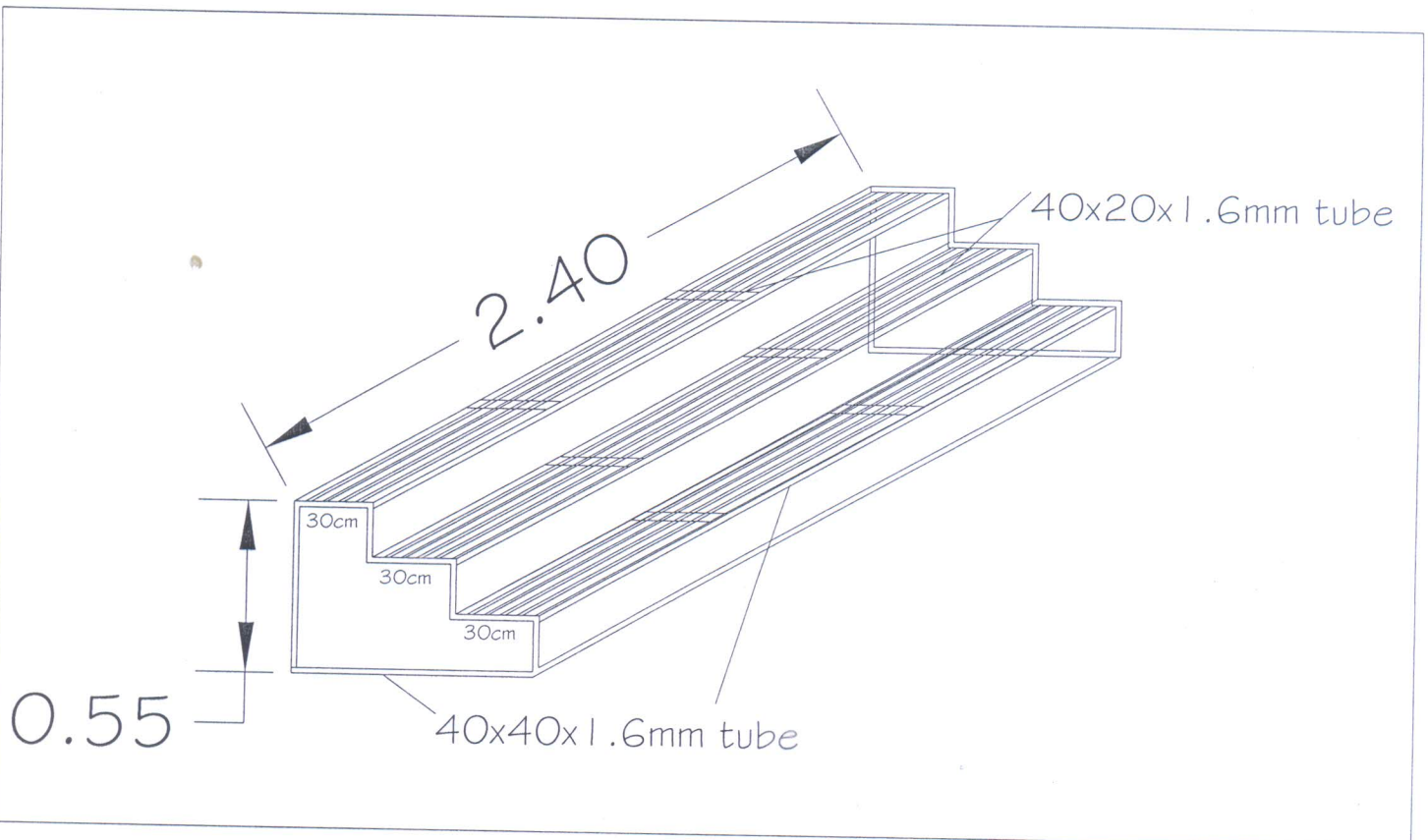

CAMPUS LANDSCAPING OFFICER

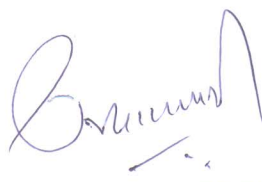
**Officer - In - Charge
Campus Landscaping
University of Calicut**

Office of the Campus Landscaping Unit

P.O. Calicut University

Copy to : 1. Notice board




Officer - In - Charge
Campus Landscaping
University of Calicut